



**PERFORMANCE DATA SHEET  
NEMA PREMIUM NR CAN NEMA 12 - 12**

Catalogue #: MQP-29

HP	kW	Voltage	S.F. @ 60Hz	EFF.	P.F.	Frame	Design	L.R. Amps
7,5	5,60	230/460	1,25	86,5%	0,67	256T	B	63

60 Hz								Code	F.L. RPM
208	230	416	460	480	575	600			
/	24	/	12,00	/	/			H	870

50 Hz								
FLA			S.F. @ 50Hz	Efficiency	Power Factor	Code	F.L. RPM	
190	380	415						
27,0	13,5		1,00	84,0%	0,740	G	715	

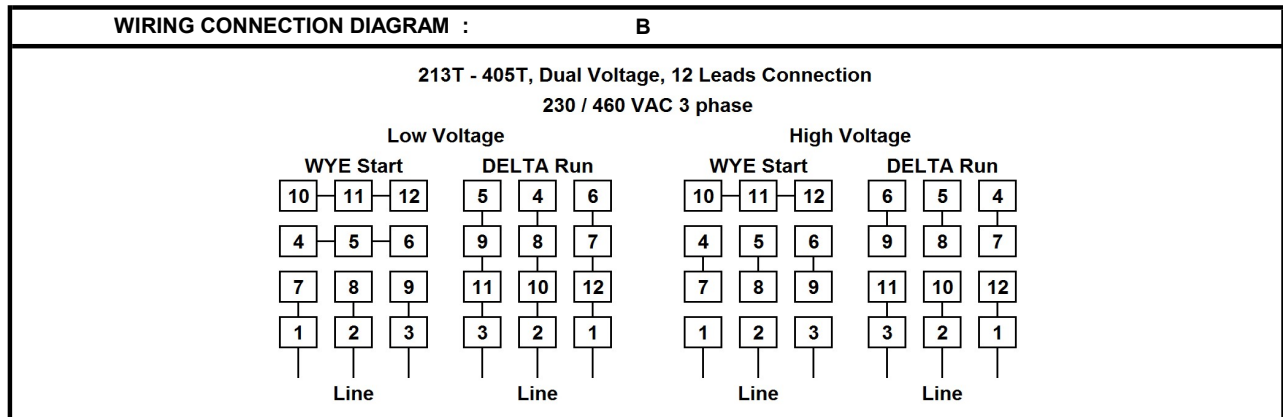
Wgt. Lbs	PH	Duty	Insul. Class	Amb.	Elevation	Temp. Rise° C
229	3	Cont.	F	40°C	1000M (3,300 Ft)	< 80

% Efficiency		% Power Factor		Torque		Winding Resist. Ω	Safe Cold Start (Secs)
Full Load:	86,5%	Full Load:	0,67	Full Load Ft/Lbs	45,3		
3/4 Load:	86,5%	3/4 Load:	0,59	Locked Rotor %	200		
1/2 Load:	84,5%	1/2 Load:	0,45	Break Down %	280	0	20

Rotor Inertia Wk2 Lb-Ft2	Max Load Inertia Wk2 Lb-Ft2	Shaft Material	Frame Material	DE Bracket Type	ODE Bracket Type	Enclosure	NEMA Rating	Lead Wire Size
2,37	201	1045	Cast Iron	Cast Iron	Cast Iron	TEFC	IP55	14 AWG

Ball Bearings		Grease	Mount Type	Orientation	Paint	Sound Pressure @ 3FT	Sound Power
DE	ODE						
6309	6309	Mobil PolyrexEm	Rigid	Horizontal	RAL6022	65	75

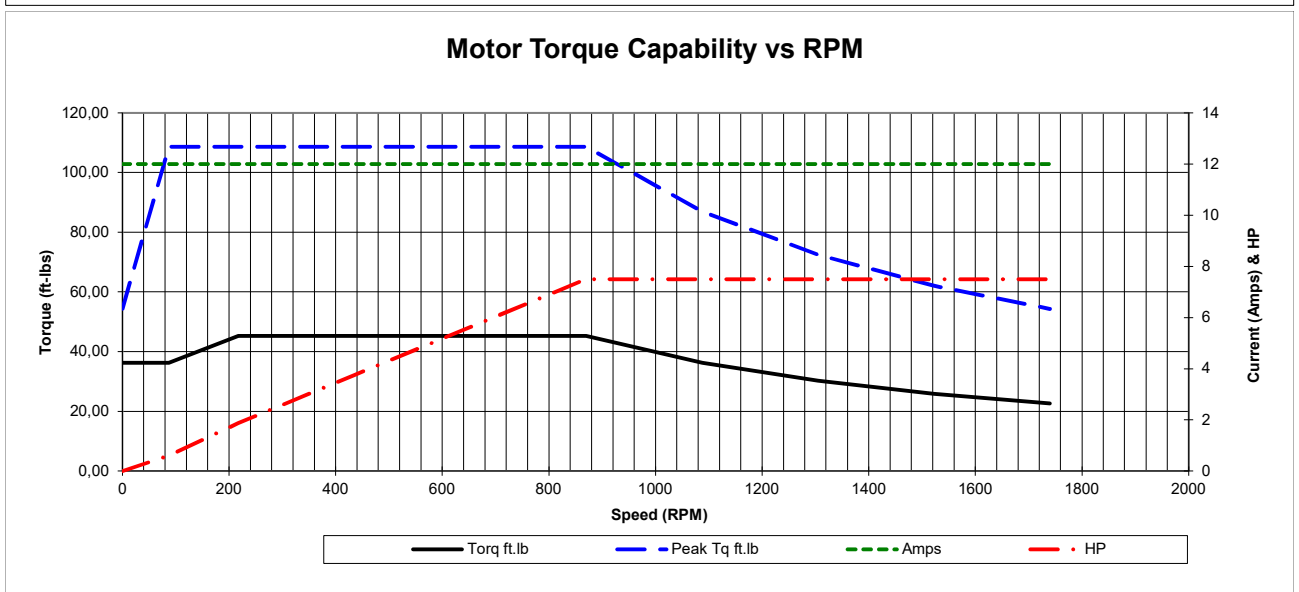
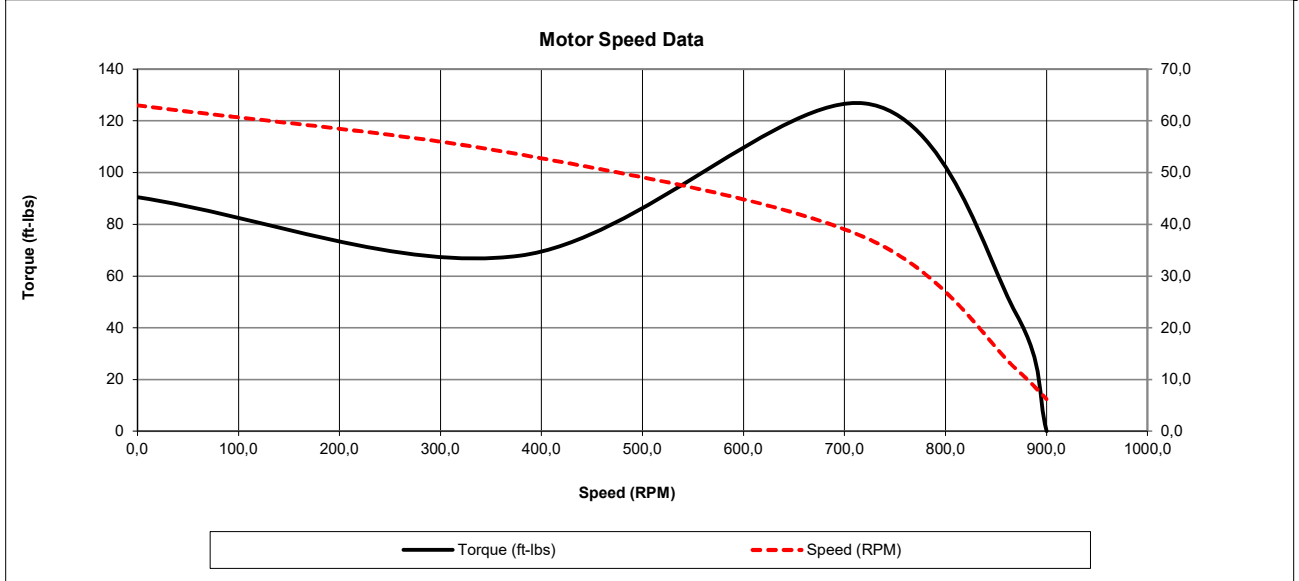
Inverter Duty, Motor meets MG1 parts 31.4.4.2	VFD SF	Constant Torque Range	Variable Torque Range	Constant HP RPM
	1,00	10:1	20:1	1350



Date: 2023-12-13  
 Customer: \_\_\_\_\_  
 Contact: \_\_\_\_\_  
 Submittee: J.C. Lavallée

Catalogue #: MQP-29

NEMA PREMIUM NR CAN NEMA 12 - 12										
HP	VAC	RPM	Enclosure	Frame	Frequency	Design	Poles	LR Code Letter	Insulation Class	Temp. Rise °C
7,5	460	870	TEFC	256T	60 Hz	B	8	H	F	< 80
	0Hz	6Hz	15Hz	30Hz	45Hz	60 Hz	75Hz	90Hz	105Hz	120Hz
Amps	12	12	12	12	12	12	12	12	12	12
RPM	0	87	217,5	435	652,5	870	1087,5	1305	1522,5	1740
Torq ft.lb	36,22	36,22	45,28	45,28	45,28	45,28	36,22	30,18	25,87	22,64
Peak Tq ft.lb	54,33	108,66	108,66	108,66	108,66	108,66	86,93	72,44	62,09	54,33
HP	0	0,6	1,9	3,8	5,6	7,5	7,5	7,5	7,5	7,5
	Locked Rotor	Pull-Up	Breakdown	Rated Load	Idle	Duty	S. F.	Ambient	Elevation	dBA @ 1M
Speed (RPM)	0,0	378	720	870	900	Continuous	1,25	40°C	3,300 ft	65
Current (Amps)	63,0	53,6	37,5	12,0	6,2	VFD Rating: Meets MG1 parts 31.4.4.2				
Torque (ft.-lbs)	90,6	67,9	126,8	45,3	0,0	C.T.	10:1	V.T.	20:1	VFD SF 1.00





Date: 2023-12-13  
 Customer: \_\_\_\_\_  
 Contact: \_\_\_\_\_  
 Submittee: J.C. Lavallée

Catalogue #: **MQP-29**

NEMA PREMIUM NR CAN NEMA 12 - 12										
HP	VAC	RPM	Enclosure	Frame	Frequency	Design	Poles	LR Code Letter	Insulation Class	Temp. Rise °C
7,5	460	870	TEFC	256T	60 Hz	B	8	H	F	< 80
<b>Load %</b>	<b>0%</b>	<b>25%</b>	<b>50%</b>	<b>75%</b>	<b>100%</b>	<b>125%</b>	<b>150%</b>			
<b>Amps</b>	6,22	7,03	8,04	9,83	12,00	15,19	18,19			
<b>Torq ft/lbs</b>	0	11,03	22,25	33,67	45,28	57,09	69,11			
<b>RPM</b>	0	892,5	885	877,5	870	862,5	855			
<b>Eff</b>	0	73,93	84,50	86,50	86,50	85,14	84,81			
<b>PF</b>	0	33,8	45	59	67	67,871	68,273			
	<b>Locked Rotor</b>	<b>Pull-Up</b>	<b>Breakdown</b>	<b>Rated Load</b>	<b>Idle</b>	<b>Duty</b>	<b>S. F.</b>	<b>Ambient</b>	<b>Elevation</b>	<b>dBa @ 1M</b>
<b>Speed (RPM)</b>	0	378	720	870	900	Continuous	1,25	40°C	3,300 ft	65
<b>Current (Amps)</b>	63	53,6	37,5	12	6,216	<b>VFD Rating: Meets MG1 parts 31.4.4.2</b>				
<b>Torque (ft-lbs)</b>	90,55	67,91	126,77	45,28	0,0	C.T.	10:1	V.T.	20:1	VFD SF 1.00

